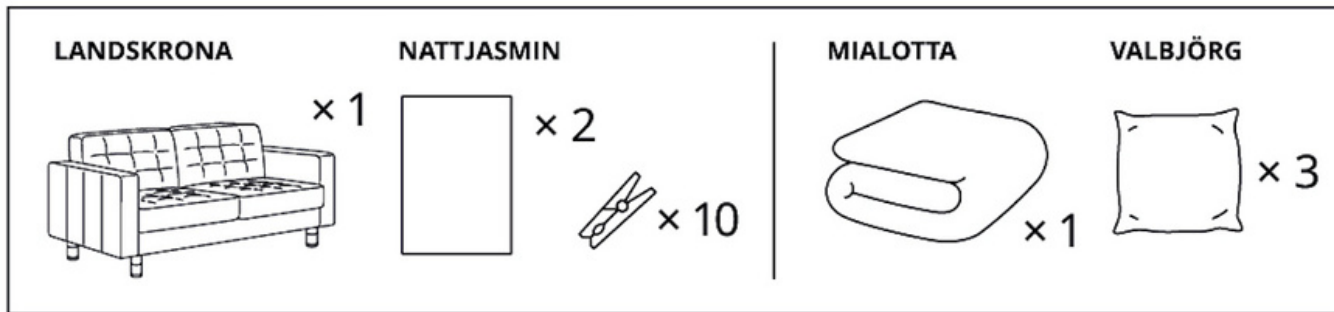
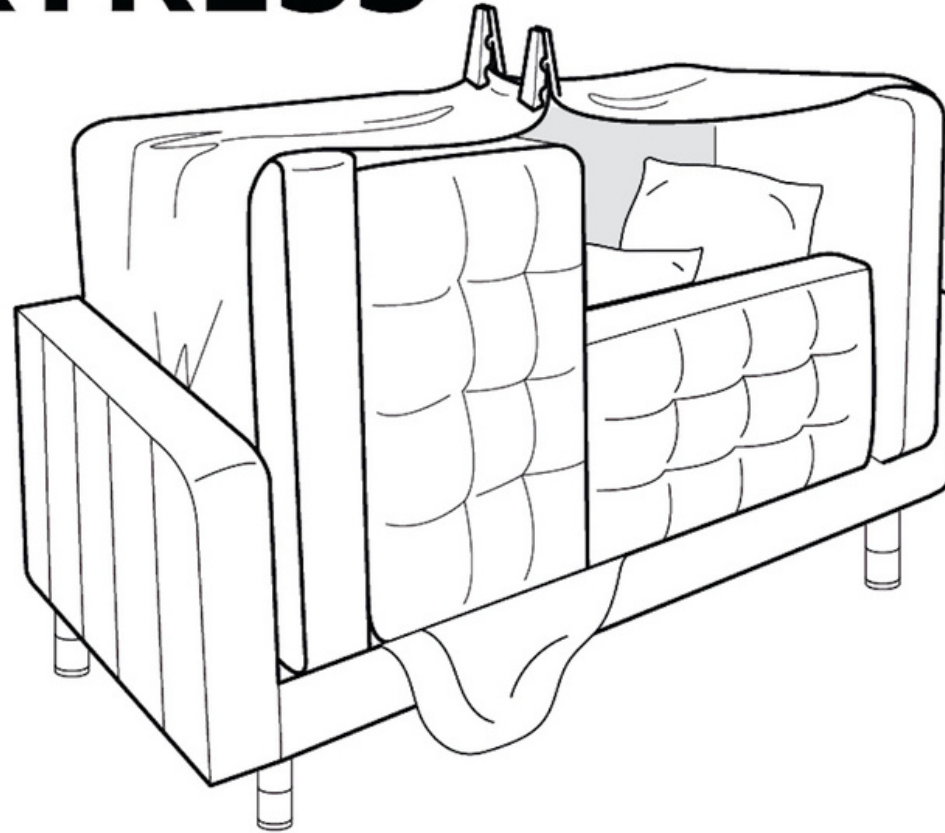
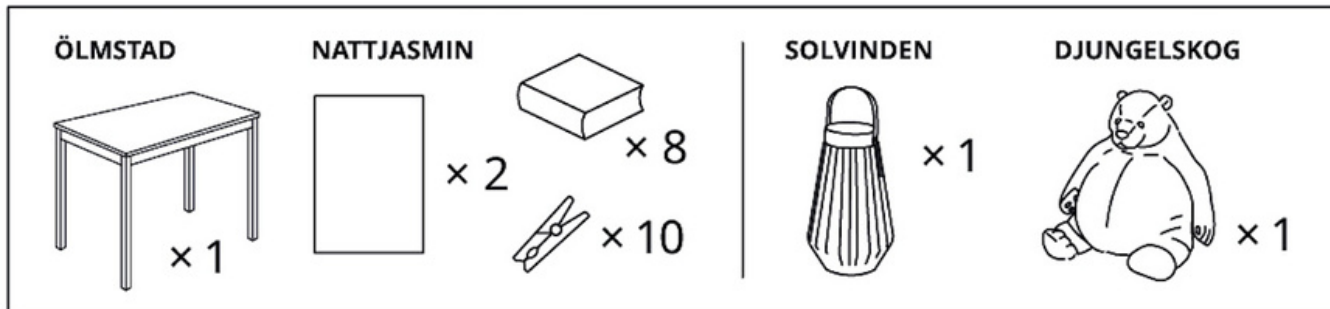
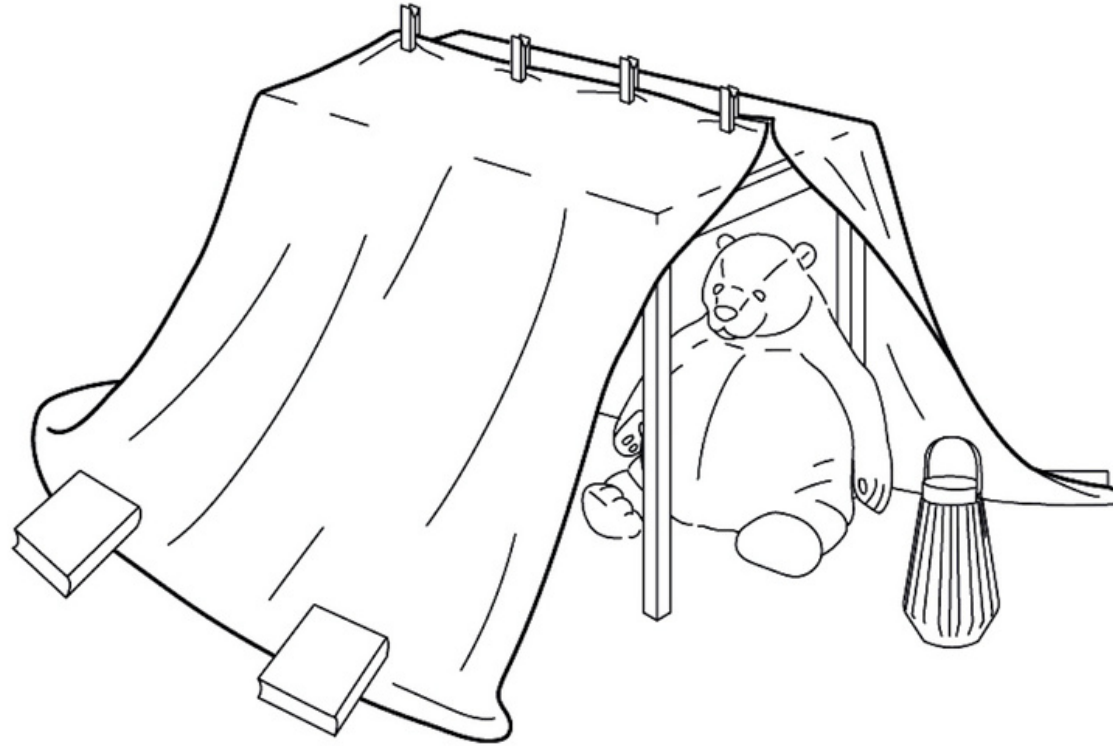


# FÖRTRESS



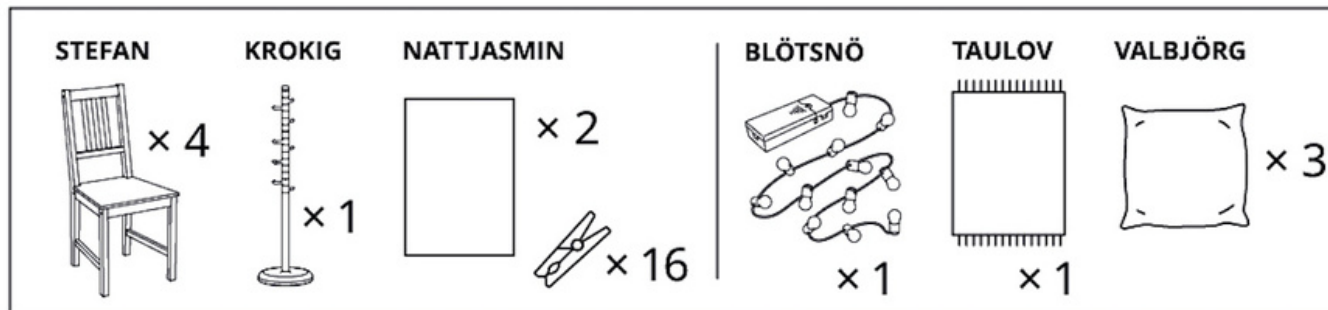
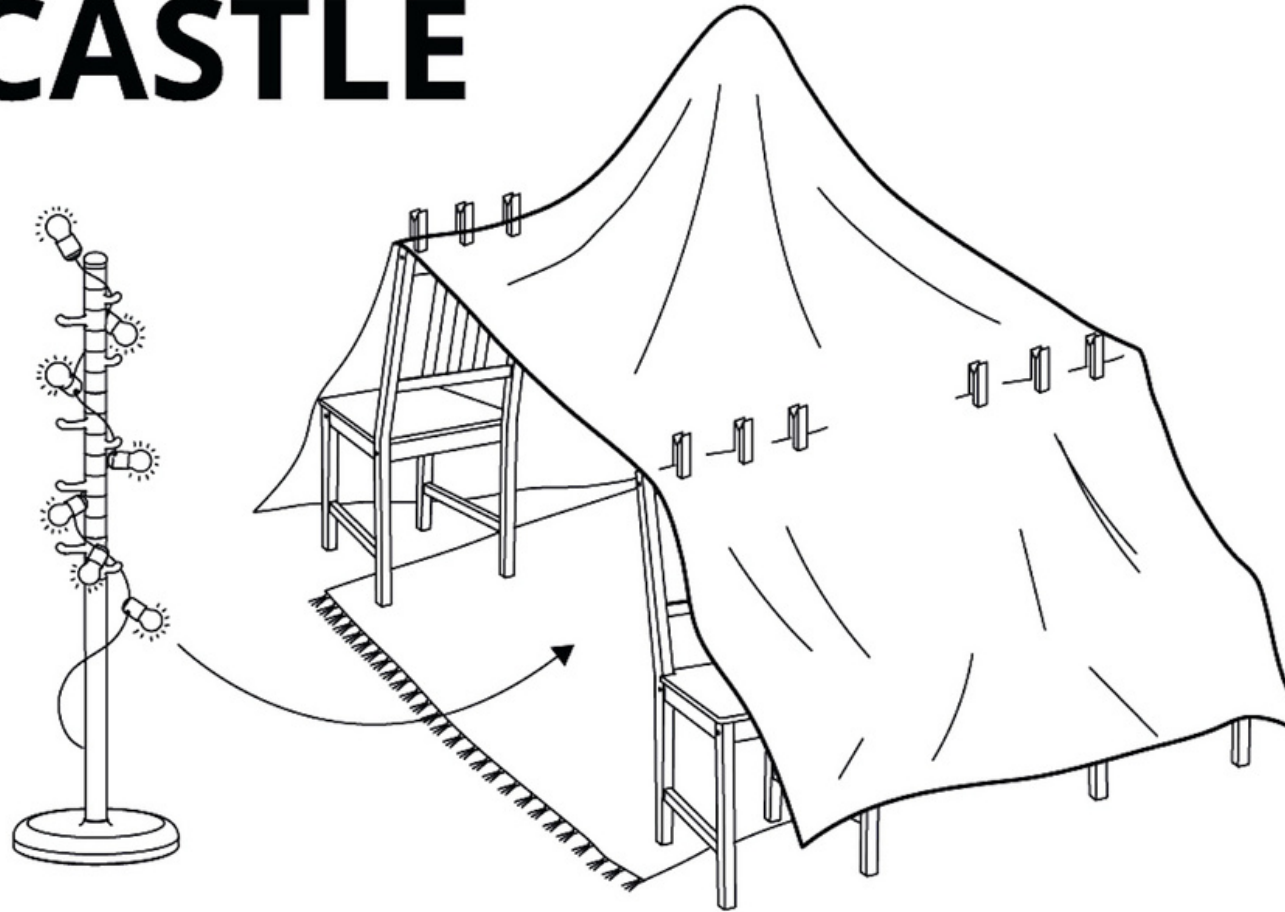
Make sure that the structure is safe. Do not leave children unattended.  
The suggested examples are not official IKEA user guides for IKEA products.  
If you can't find the products referred to in the instructions, use similar ones.

# HÖUSE



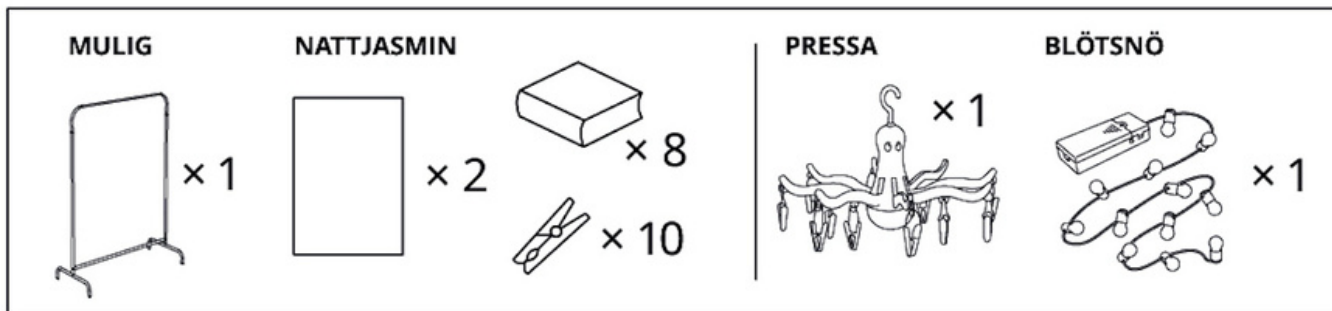
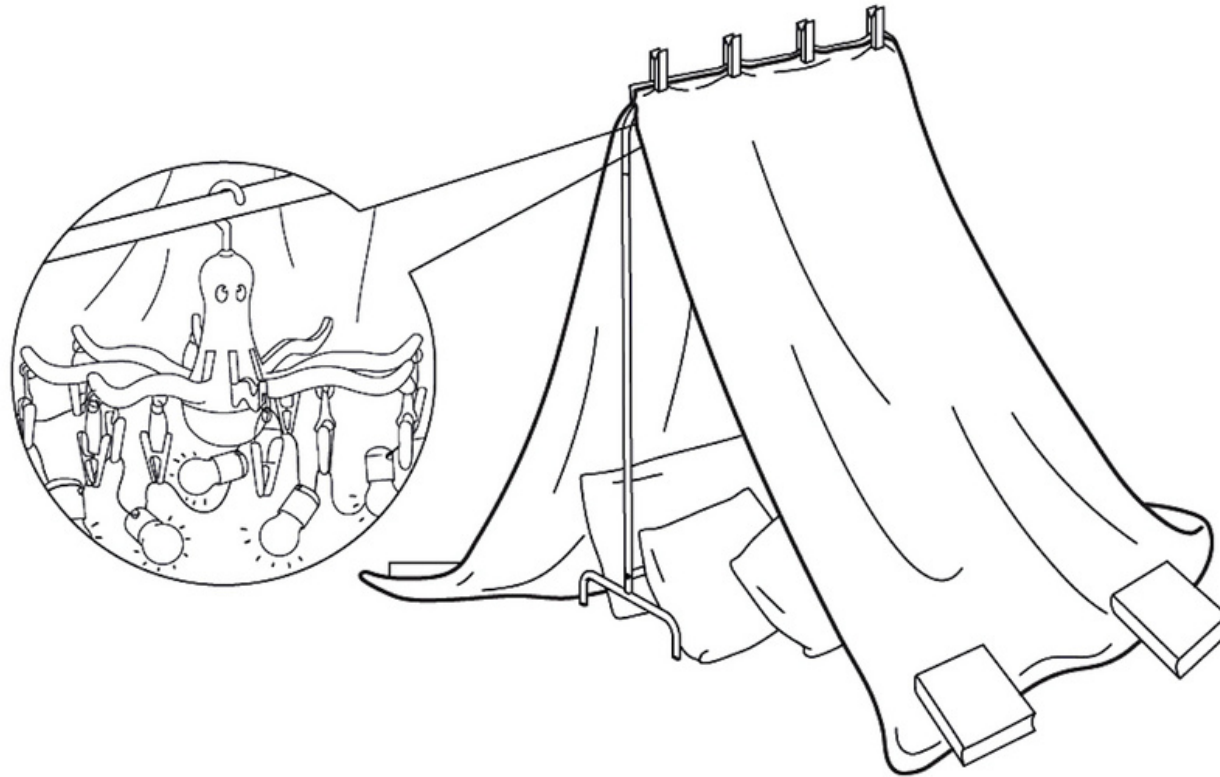
Make sure that the structure is safe. Do not leave children unattended.  
The suggested examples are not official IKEA user guides for IKEA products.  
If you can't find the products referred to in the instructions, use similar ones.

# CÅSTLE



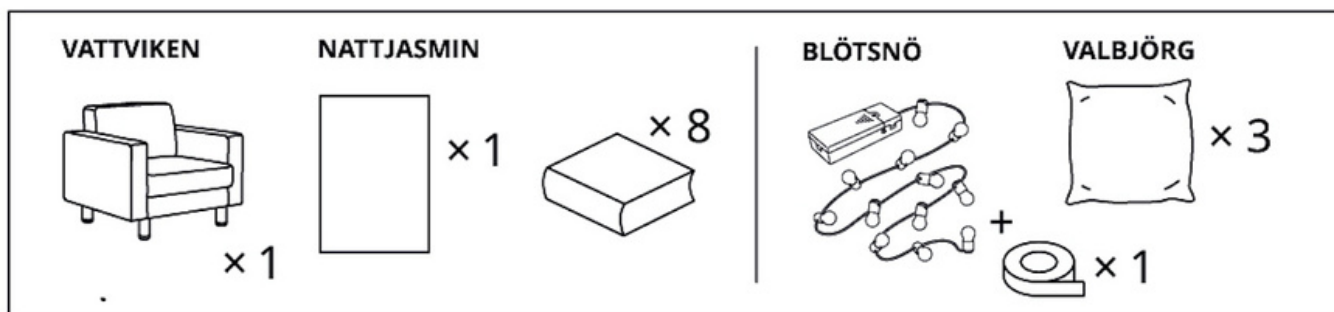
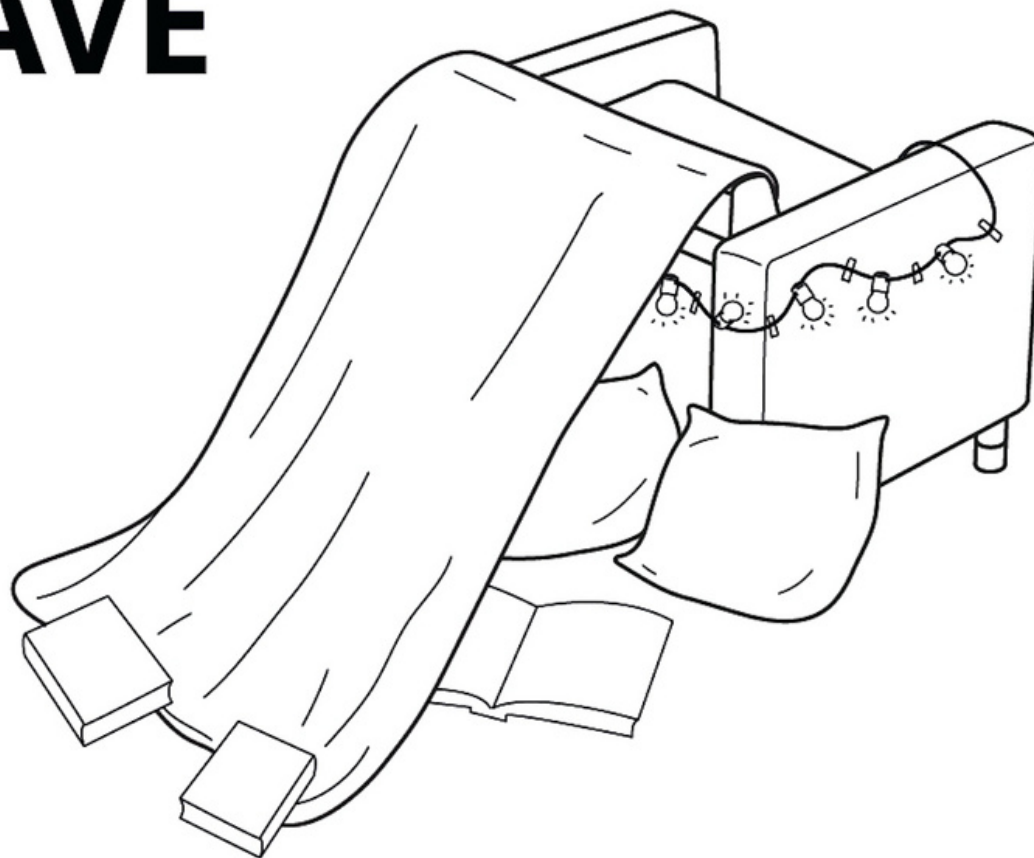
Make sure that the structure is safe. Do not leave children unattended.  
The suggested examples are not official IKEA user guides for IKEA products.  
If you can't find the products referred to in the instructions, use similar ones.

# CÅMPINGTENT



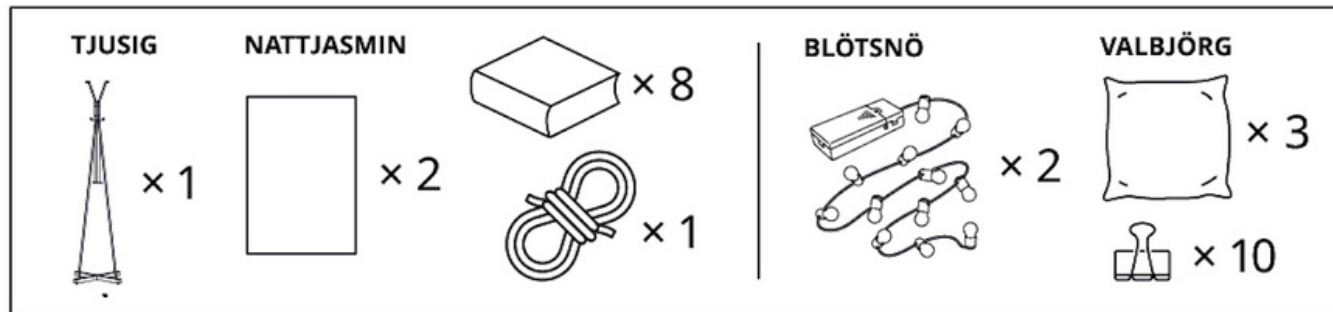
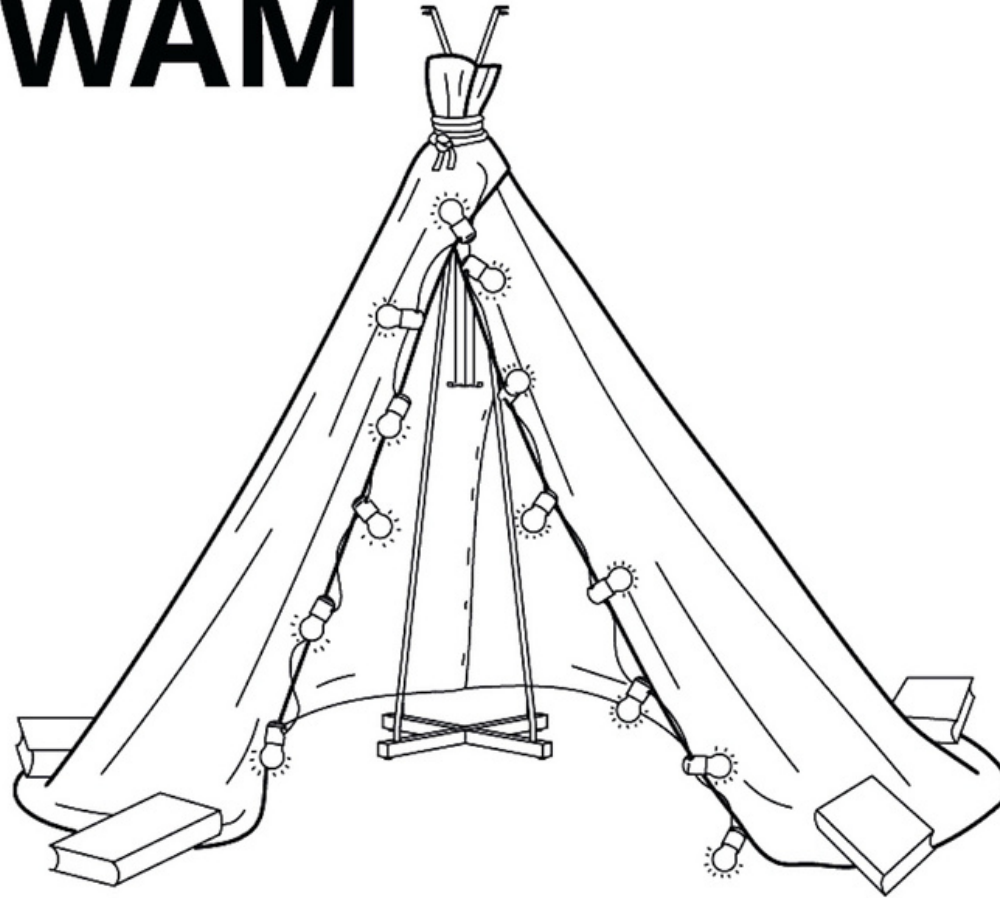
Make sure that the structure is safe. Do not leave children unattended.  
The suggested examples are not official IKEA user guides for IKEA products.  
If you can't find the products referred to in the instructions, use similar ones.

# CÅVE



Make sure that the structure is safe. Do not leave children unattended.  
The suggested examples are not official IKEA user guides for IKEA products.  
If you can't find the products referred to in the instructions, use similar ones.

# WIGWÅM



Make sure that the structure is safe. Do not leave children unattended.  
The suggested examples are not official IKEA user guides for IKEA products.  
If you can't find the products referred to in the instructions, use similar ones.